



- **Smallest 4 buttons module, directly powered by 100VAC to 240VAC**
- **Smallest power consumption, 0.2 Watt.**
- **Simply operates with Casambi.**

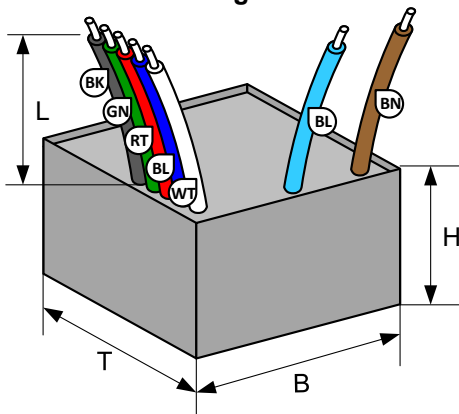
The button module LIGA.AIR.TAST4.240 is controlled by the Casambi application.

The module is connected directly to 230VAC and able to sense 4 electrically isolated buttons for additional functionality of the Casambi application.

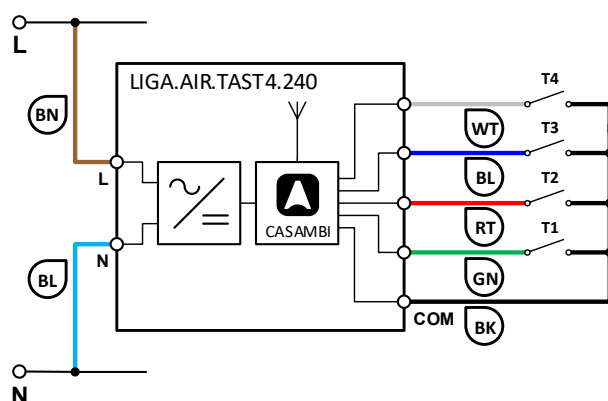
The module is capsuled in a black ABS housing with the dimensions of 40 x 40 x 20mm.

The extremely compact design of the housing allows an easy installation in flush-mounted boxes or in a cable duct.

Dimensional drawing:



Schematics:



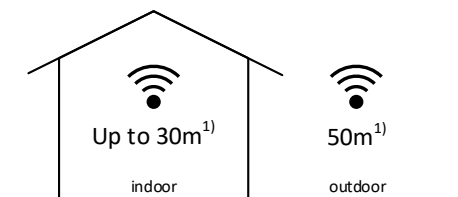
**Installation only by a professional electrician according to the local regulations!**

**Technical specifications:**

Dimension (T x B x H)	40 x 40 x 20mm
Weight	53g
Color	Enclosure black
Mounting	In flush-mounted boxes or cable ducts etc.
Environmental conditions	Operation: Temperature -20 ... 50°C, humidity < 85%rH Stock: Temperature -25 ... 65°C, humidity < 95%rH
Protection type / Protection class	IP44, EN-60529 / Appliance Class II
Connections	Flexible 2 x 1mm <sup>2</sup> (AWG30), L = 150mm: Brown (BN): L, phase conductor, blue (BL): N, neutral conductor  Flexible flat ribbon cable 5 x 0.34mm <sup>2</sup> (AWG22), L = 150mm: Green (GN): T1, red (RT): T2, blue (BL): T3, white (WT): T4 Black (BK): COM
Power supply / Frequency	100-240VAC, 50-60Hz
Power consumption	0.2 Watts max
Standards	Low Voltage Directive (LVD) 2014/35/EU, EN 60669-2-1 Electromagnetic compatibility (EMC) 2014/30/EU
CASAMBI Modul Standards	Bluetooth 4.0 Wireless Control
Dimming and switching	Configurable with the Casambi application (App Store, Google Play)
Applications	Switching and dimming of loads e.g. lamps Dimming of DYN Color etc.
Scope of delivery	1 button module

**Compatible devices:****iPhone 4S** or later**iPad 3** or later**iPod Touch 5th gen** or later.**Android 4.4 KitKat** or later devices

produced after 2013 with full BT 4.0 support.

**Range:**

Casambi uses mesh network technology so each CBU-ASD acts also as a repeater.

Longer ranges can be achieved by using multiple Casambi units.

Range is highly dependent on the surrounding and obstacles, such as walls and building materials.

