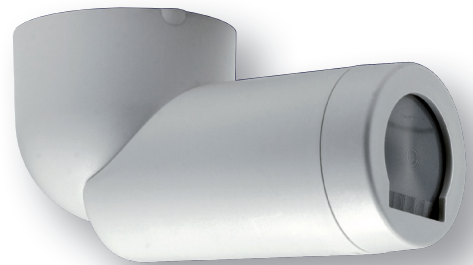


CBU-CEDRPLR

Plug-in Directional Passive Infra Red (PIR) Occupancy Detector & Photocell

Input: 220-240 Vac 50Hz

CASAMBI



PLEASE READ THESE INSTRUCTIONS BEFORE INSTALLING THE PRODUCT
NOTE: CBU-CEDRPLR is only compatible to work with CASAMBI enable equipment

This directional long range CBU-CEDRPLR can plug into a ceiling mounted socket (not included) - DANLERS Product Code: CESO. The socket can be mounted onto an appropriate BESA box or pattress box. Configurable via the free to download Casambi APP on Google Play or Apple APP Store.



INSTALLATION

To be installed by a competent person with reference to BS 7671 or equivalent local standards. If in doubt consult a qualified electrician.

- Plan where the CBU-CEDRPLR is to be located (see diagram 1). Switch off supply and check for hidden cables and pipes. Make a 73/75mm diameter hole through a standard ceiling board.
- The CBU-CEDRPLR should be connected as shown in diagram 2:
L - Live in. N - Neutral in.
- Knockout or drill the appropriate holes on the mounting plate for attaching the plate to the ceiling or back box (if applicable). Feed cables through the appropriate (side or rear) entry hole. Screw the back mounting plate to the ceiling or back box via the mounting holes. Wire the cables into the sensor head block terminal. Push the sensor head onto the mounting plate and align the side clips with the slots on the sensor heads.

OPERATION

To check the operation of the CBU-CEDRPLR:

- Turn on the supply then after 20 seconds if the sensor has recognised movement of a person within its zone of detection the integral red LED on CBU-CEDRPLR will stay illuminated for 4 seconds before the red LED turns off.
- Thereafter, every time movement is detected by CBU-CEDRPLR the integral red LED will stay illuminated for 4 seconds.

The control also features adjustable time out (time lag) control and daylight threshold control which are configured by the Casambi APP.

PRECAUTIONS

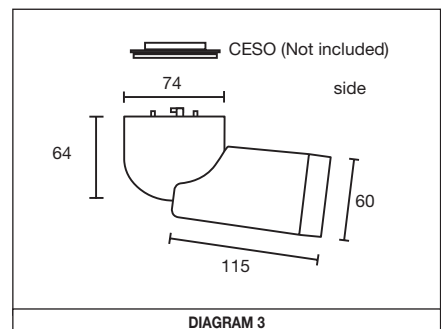
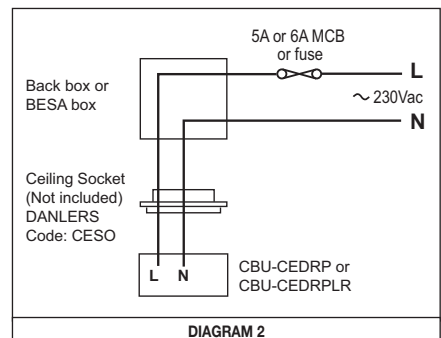
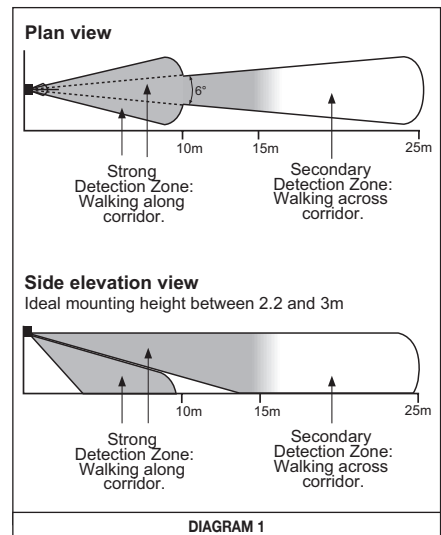
- Do not place the CBU-CEDRPLR near heat sources, fans or in ventilated ceiling voids.
- CBU-CEDRPLR can be wired in parallel (sharing the same Live and Neutral).
- Do not place close to, or positioned such that, any light source points directly into the CBU-CEDRPLR.
- Ensure wires and cables are securely held within the connection terminals.
- The CBU-CEDRPLR should be protected by a 5 or 6 Ampere mcb or fuse.
- Disconnect the CBU-CEDRPLR from the circuit before performing insulation testing of the wiring circuit.**

TECHNICAL DETAILS

| INPUT | |
|---|---|
| Voltage: | 220 - 240Vac |
| Frequency: | 50Hz |
| Max. mains current: | 0.05A |
| Standby current: | 0.05A |
| RADIO TRANSCEIVER | |
| Operating frequencies: | 2.4... 2,483 GHz |
| Max. output power: | +4 dBm |
| OPERATING CONDITIONS | |
| Note: The temperature difference between the detection target and the background must be at least 4 °C. | |
| Ambient temperature: | -20... +40 °C (Iout 0.05 A) |
| Max. case temperature: | +70 °C |
| Storage temperature: | -25... +75 °C |
| Max. relative humidity: | 0... 80%, non cond. |
| CONNECTORS | |
| Terminal block Wire size: | 0.5mm ² - 2.5mm ² solid or stranded |
| Wire strip length: | 6-7mm |
| Tightening torque: | 0,4 Nm/4 Kgf.cm |
| MECHANICAL DATA | |
| Dimensions: | 74mm x 90mm x 152mm (adjustable) |
| Weight: | 170g (unpacked) |
| Degree of protection: | IP20 |
| Protection class: | Built-in Class 2 |
| Material (casing) | Flame-retardant polycarbonate |
| Finish / Colour | Matt /White (RAL 9003) |
| Protection class: | Built-in Class 2 |
| CONFORMITY AND STANDARDS | |
| EMC emission: | EN60669-2-1:2004 inc. A12:2010 |
| EMC immunity: | EN60669-2-1:2004 inc. A12:2010 |
| Safety: | EN60669-2-1:2004 inc. A12:2010 |
| Environment: | Complies with WEEE and RoHS directives |

5 YEAR WARRANTY

CBU-CEDRPLR comes with a 5 year warranty from the date of manufacture and is CE marked.



DJP SP.Z O.O., UL. ANNY GERMAN 15,01-794 WARSZAWA, POLSKA

Telefon/Fax: 022 639 70 37 E-mail: mateusz@djp.com.pl

www.djp.com.pl



DANLERS